

# SAHUNG



## BAF9018

Hangzhou shanghong electronic technology Co.,ltd

Room 504, Building 10, No. 202 Zhenzhong Road, Xihu District, Hangzhou City, Zhejiang Province



## Product Introduction

- The whole lamp is made of aluminum alloy die-casting shell, with high-pressure electrostatic spraying on the surface, which is resistant to high temperature and aging;
- G3/4 cable entry port
- Installation method: wall and ceiling mounted
- IP66/IK08.
- Adopting high shed silicon tempered glass to meet explosive hazardous environments such as chemical plants, gas stations, and military facilities.
- Anticorrosion, Explosion proof, Anti
- Warranty: 3-5 years.
- Explosion proof mark: Exdb IIC T4 Gb

### Applicable:

Suitable for Zone 1 and Zone 2 locations in explosive gas environments;

Suitable for places in Zone 21 and Zone 22 with combustible dust environments;

Suitable for Class IIA, IIB, and IIC explosive gas environments.




# EXPLOSION PROOF LIGHT

BAF9018


Model	BAF9018-50W-120W	BAF9018-150W-200W	BAF9018-250W-300W
Rated Power	50W-120W	150W-200W	250W-300W
Input Voltage (V)	100~277Vac		
Work Frequency	50/60Hz		
Input Current (A)	0.42A~1A@ 120Vac, 0.22A~0.53A@230Vac	1.25A~1.67A@ 120Vac, 0.66A~0.87A@230Vac	2.1A~2.5A@ 120Vac, 1.1A~1.3A@230Vac
Power Factor	PF>0.95		
LED Driver	MOSO/SAHUNG		
Surge Resistance	L-N 4KV, L/N-PE 6KV		
Total Harmonic	≤15%		
LED Chips	CREE /OSRAM/LUMILEDS-SMD		
Beam Angle	90°/120°		
Color Temperature	2700K-6500K		
CRI	≥70≥80Ra		
Condition Temp	-25°-80°		
IK	IK08		
IP	IP66		
Luminous Efficiency	130Lm/W		
N.W/G.W (KG)	7.5/8.1	11.8/12.5	20/20.5
Packing Size	35*32*20	50*37*21	50*36*21

1. This product must be installed by a qualified person.
2. The external flexible cable or cord of this luminaire cannot be replaced; if the cord is damaged, the luminaire shall be destroyed.
3. For models BAF9018 series, the light source contained in this luminaire is non-user replaceable, it shall be replaced by our service agent or a qualified person only.

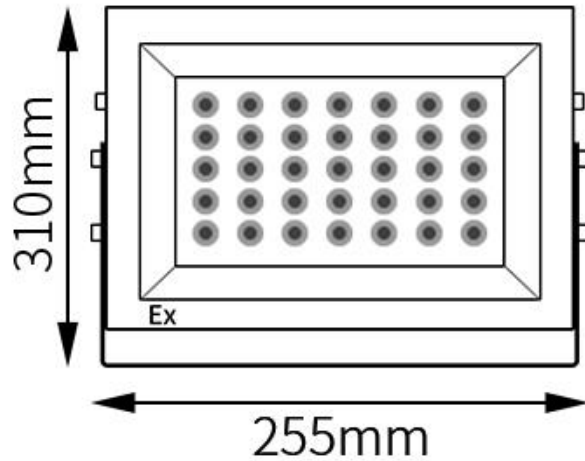
4.  Caution, risk of electric shock.

When open the luminaire to replace the LED module, please ensure the power have been cut off.

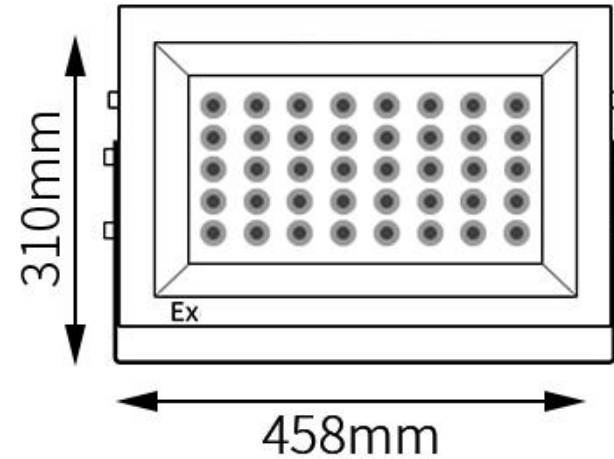
5. This product is class I luminaire, please ensure the earthing wire is connected to the terminal reliably.
6. This product is classified to IP65, which means 'dust tight' and 'jetproof'. It is suitable for outdoor use.
7. Don't touch the luminaire until it has been cool down.

8.  Meaning of crossed out wheeled dustbin: Do not dispose of electrical appliances as unsorted municipal waste, use separate collection facilities contact your local government for information regarding the collection systems available. If electrical appliances are disposed of in landfills or dumps, hazardous substances can leak into the ground and water then get into the food chain, damaging your health and well-being.

Product size



(50W-120W)



(150W-200W)

